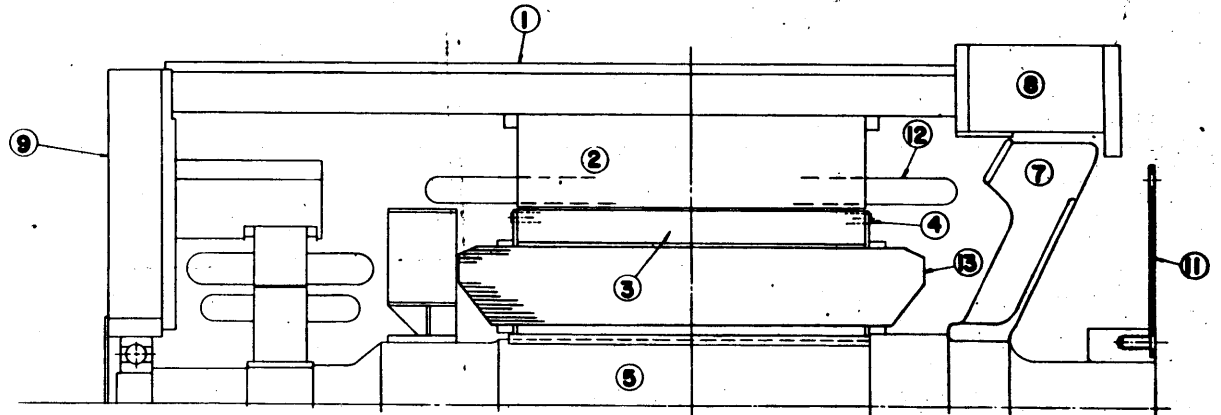


FRAME 750-300KW, 1800RPM

COMPARISON OF EXISTING 750 (26" DIA.)
AND PROPOSED 740 (22" DIA.)

30 SEPT 63

NOTE: BOTH DRAWINGS ARE TO SAME SCALE



FRAME 740-300KW, 1800RPM