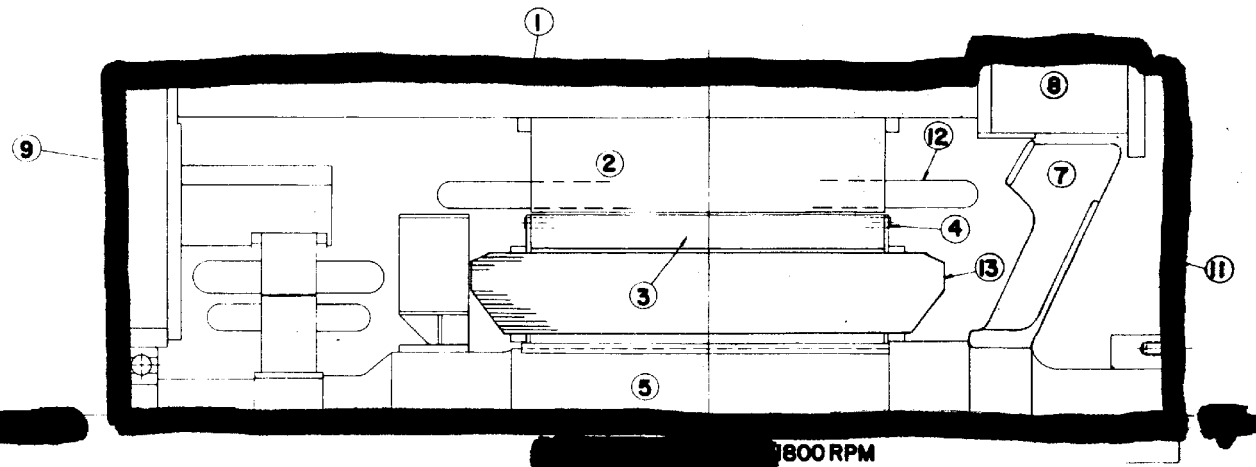


██████████ 800RPM

COMPARISON



NOTE: BOTH DRAWINGS ARE TO SAME SCALE



██████████ 800RPM